

## Product Brief

# SagireEdge™ AI 600 Development Kit

Powered by the Qualcomm® QCS6490 SOM

## Highlights

- Low power, compute intensive camera and Edge AI applications with up to 12 TOPS
- Support for AI deep learning training and deployment models
- Preloaded with a Ubuntu Linux O/S
- SagireEdge™ AI 600 SOM & open chassis carrier board
- Based upon the Qualcomm® QCS6490 SOM with 8GB RAM/128 GB UFS Flash (µMCP)
- Rich set of interfaces, including dual Ethernet ports, HDMI, USB 2.0 and 3.1.
- Extended temperature range
- Long life support
- Android and Windows IOT BSPs coming soon

## Features

The SagireEdge™ AI 600 Development Kit (DK) is an open-frame platform that combines a production ready SagireEdge™ AI 600 SOM with a carrier board, providing expansion options to support development and testing of external peripherals and applications.

The development kit is powered by the Qualcomm® QCS6490; a high performance, power efficient System-on-Chip (SoC) ideal for camera intensive and AI computing at the Edge with NPU performance of up to 12 TOPS.

The range of connections on the carrier board includes dual Ethernet ports, HDMI, CAN, dual USB 3.1, and a USB 2.0. The SOM supports connections for dual MIPI-CSIs, audio, de-bug (JTAG) and an external Wi-Fi/BT antenna.

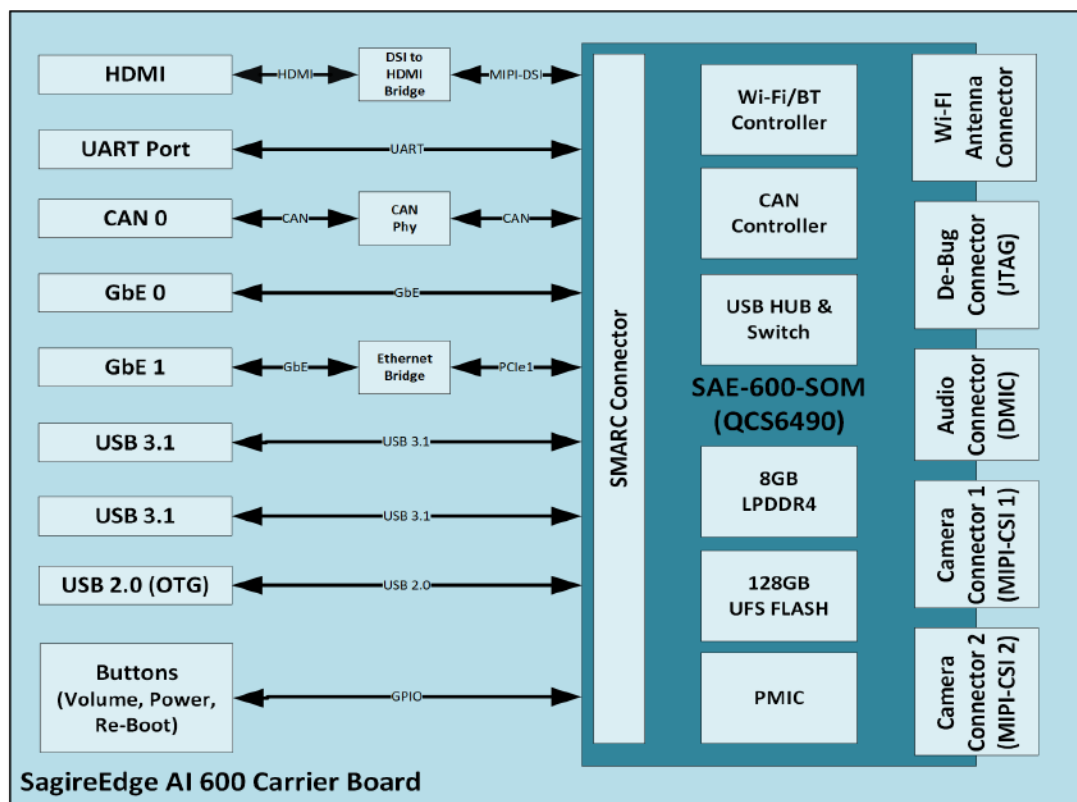
Out of the box support for a Ubuntu Linux BSP with Android and Windows IOT BSPs in development.

The development kit includes Sagire AI Studio™, a comprehensive suite of tools and resources to streamline AI model development and deployment, enabling businesses to accelerate their AI initiatives quickly and effectively create their AI applications for the Edge.

Sagire AI complements its products with an experienced multidisciplinary engineering team that can deliver tailored hardware and software solutions to our client's specific requirements.



# SagireEdge™ AI 600 Development Kit



## SYSTEM ON MODULE (SOM)

- SAE-600-SoM
- Based upon Qualcomm QCS6490

## Camera Interfaces

- 2 x MIPI-CSI 4 Lanes

## Audio Interfaces

- Audio (DMIC)

## Wireless Interfaces

- Bluetooth 5.2/Wi-Fi 6E Antenna

## De-Bug

- JTAG

## CARRIER BOARD

### Display Interfaces

- 1 x HDMI

### Ethernet Interfaces

- 2 x 10/100/1000 RJ45

### USB

- 2 x USB 3.1
- 1 x USB 2.0 OTG

### General I/O Interfaces

- 1 x CAN
- 1 x UART
- 8 x GPIO

## MECHANICAL SPECIFICATION

- SOM 50 mm x 82 mm
- Carrier 110 mm x 110 mm

## OPERATING ENVIRONMENT

- -20 ~ 60 °C

## OPERATING SYSTEM\*

- Android
- Windows IOT
- Linux

\*Android and Windows IOT BSPs coming soon, will require a BSP update.

## Purchasing Information

Model	Part Number	Processor
SagireEdge™ AI 600 DK	SEA-600-DK	QCS6490 SoC



— TRANSFORMATIVE EDGE AI —

[www.sagire.ai](http://www.sagire.ai)    [+1 888 724-4732](tel:+18887244732)    [info@sagire.ai](mailto:info@sagire.ai)

© 2024 Sagire AI Inc. All rights reserved. Sagire AI is a registered trademark of Sagire AI, Inc. in the U.S. and other countries. SagireEdge™ AI is a trademark of Sagire AI, Inc. All product specifications are subjects to change without notice.